



3.5m UTILITY RIGHT OF WAY

6.0m SETBACK

PARKING



EXISTING TENANT

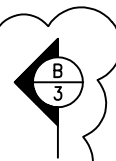
EXISTING OUTDOOR PLAY AREA

EXISTING OUTDOOR PLAY AREA

PARKING

VENUE CHURCH

SIGN LOCATIONS



PARKING

ACCESS ROAD

1.2m SETBACK

1.2m SETBACK

SITE PLAN

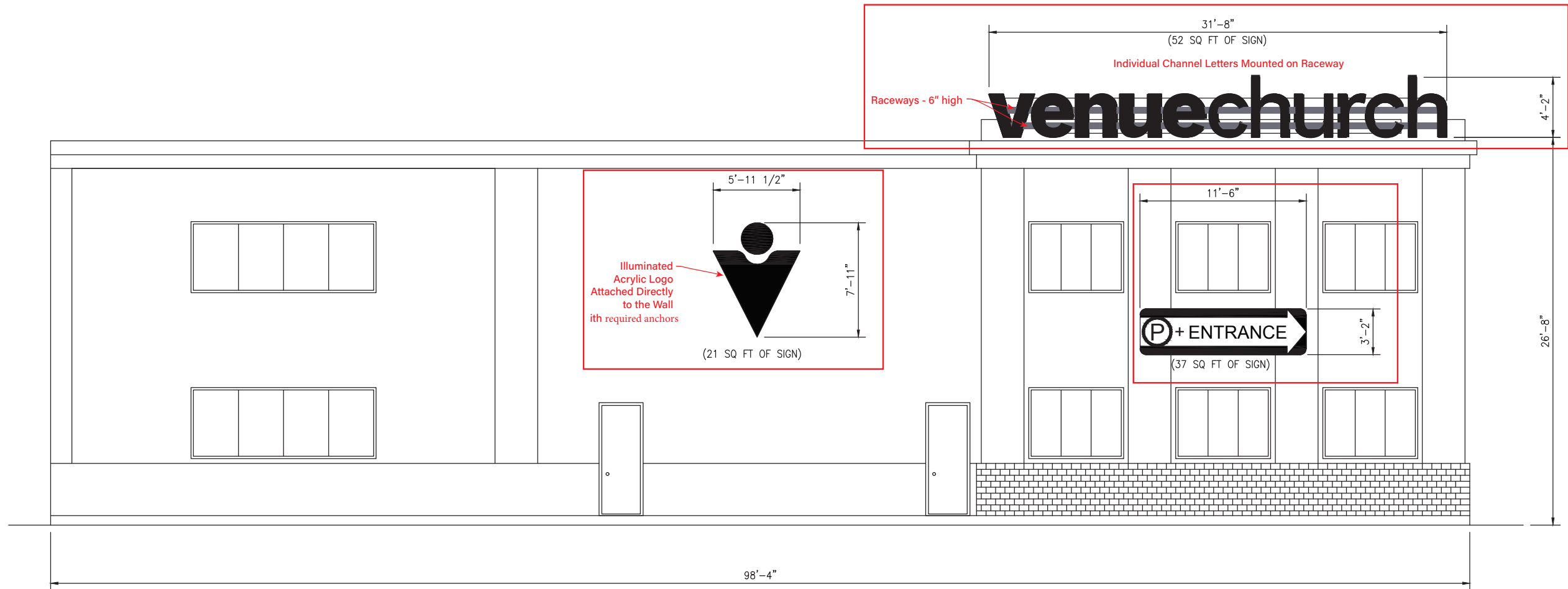
SCALE: 1/16" = 1'-0"

BUILDING SIGNS - SITE PLAN

VENUE CHURCH
2926 Kingsview Blvd.
Airdire, AB

2025-01-14
REV. 2 - VIEW SYMBOL B ADDED
BY: S. LESLIE

WEST SIDE OF BUILDING = 2664 SQ FT (TOTAL)
ALL 3 SIGNS = 110 SQ FT (TOTAL)



WEST ELEVATION
SCALE: 1/4" = 1'-0"

BUILDING SIGNS
VENUE CHURCH
2926 Kingsview Blvd.
Airdire, AB

2025-01-14
S. LESLIE

1-FASCIA SIGNS FOR VENUE CHURCH

Raceway - 375" x 6"

Raceway - 370" x 6"

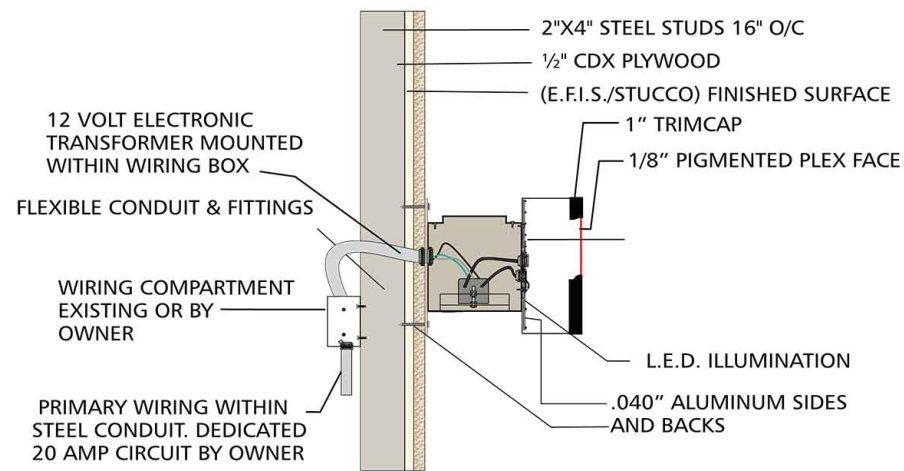
34.5 in



36 in

50 in

380 in



Specifications;
 6" x 375" raceway painted satin grey
 6" x 370" raceway painted satin grey
 All power supplies and electric inside top raceway
 3.5" returns painted Cool Grey 7C
 1" White trim cap
 3/16" White acrylic faces, no vinyl applied to faces
 0.40 aluminum backer
 RGB LED's
 Power holes in top raceway

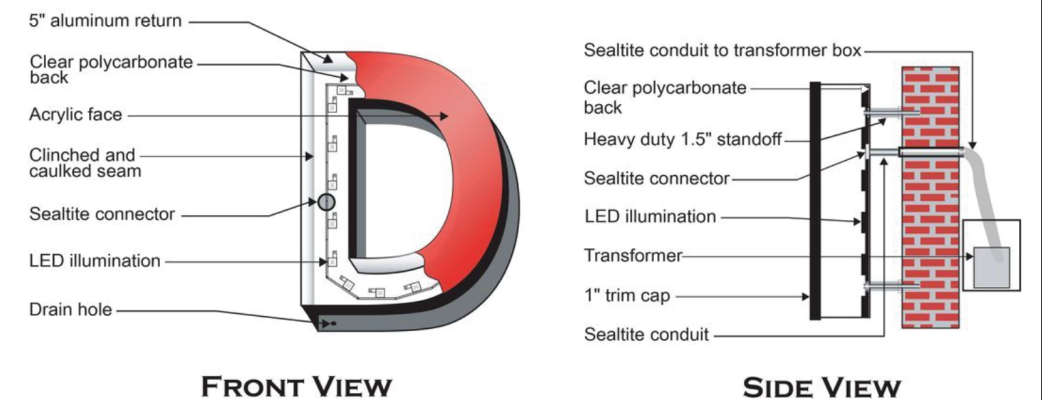
3-ENTRANCE SIGN

ENTRANCE

104.75 in

13.75 in

Aluminum Halo Lit Channel Letters,
 3" returns, 1.5" Stud Mount.

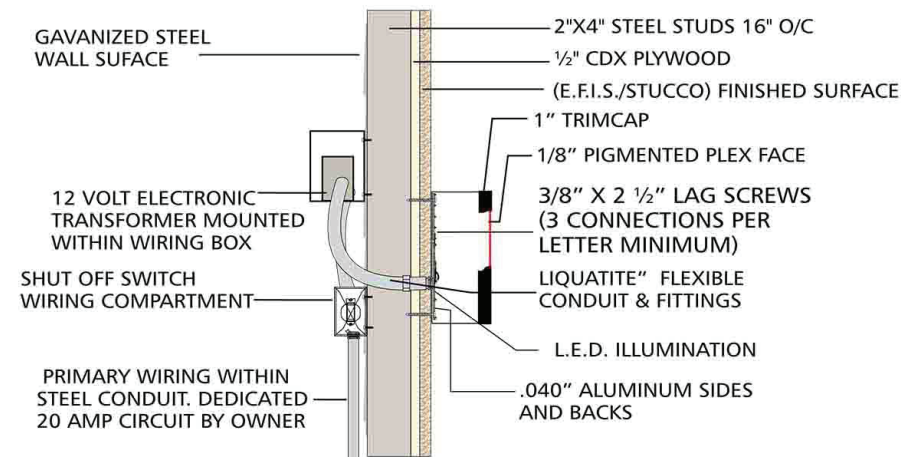


2- Illuminated logo for VENUE CHURCH



95 in

71.2 in



360° Virtual Tour
 360° Virtual Tour
 360° Virtual Tour

360° Virtual Tour
 360° Virtual Tour

360° Virtual Tour
 360° Virtual Tour

360° Virtual Tour
 360° Virtual Tour

360° Virtual Tour
 360° Virtual Tour

360° Virtual Tour
 360° Virtual Tour

360° Virtual Tour
 360° Virtual Tour

360° Virtual Tour
 360° Virtual Tour

360° Virtual Tour
 360° Virtual Tour

360° Virtual Tour
 360° Virtual Tour

360° Virtual Tour
 360° Virtual Tour

360° Virtual Tour
 360° Virtual Tour

360° Virtual Tour
 360° Virtual Tour

360° Virtual Tour
 360° Virtual Tour

360° Virtual Tour
 360° Virtual Tour

360° Virtual Tour
 360° Virtual Tour

360° Virtual Tour
 360° Virtual Tour

360° Virtual Tour
 360° Virtual Tour

360° Virtual Tour
 360° Virtual Tour

360° Virtual Tour
 360° Virtual Tour

360° Virtual Tour
 360° Virtual Tour

PROOF



Image 1: White Inverted Triangle



Image 2: Black Signage (Right Side Entrance)



Image 3: Large White Signage (Front Entrance)



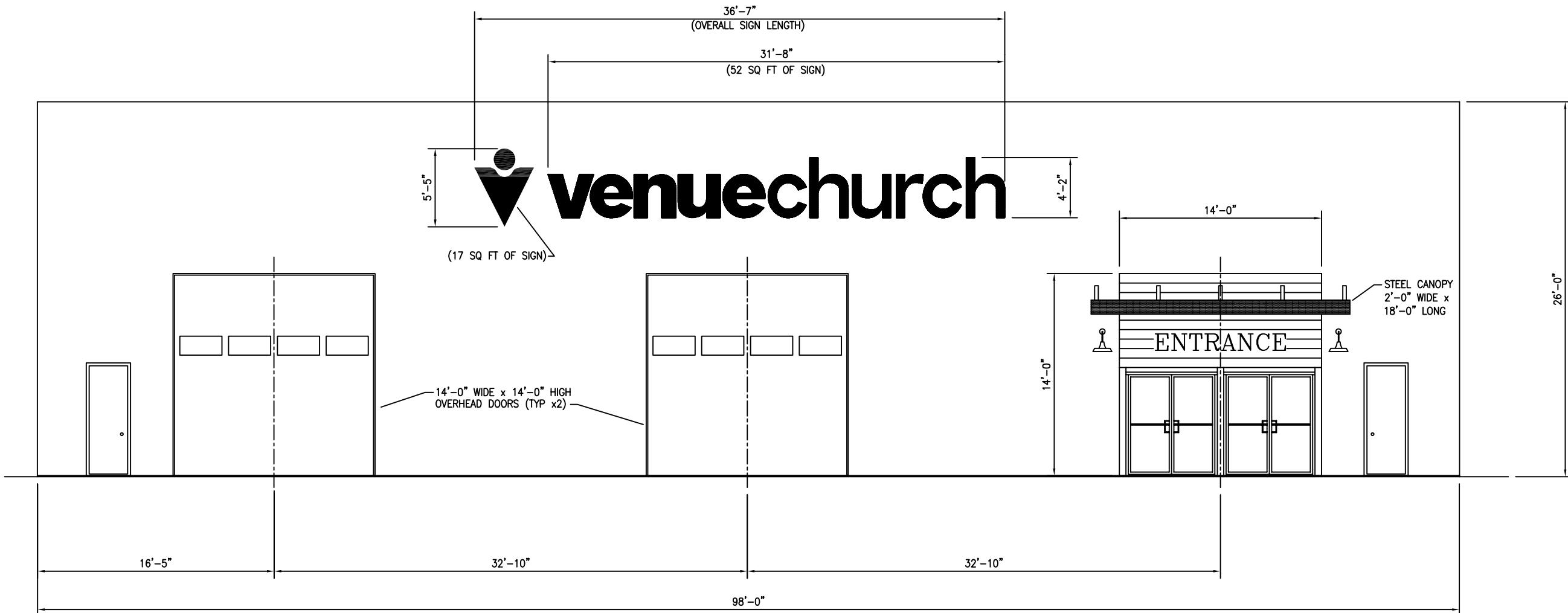
Image 1



Image 2: Black Signage (Right Side Entrance)

PROOF: This is a sample of the proof images that will be provided to you. The images are provided to you as a guide to the quality and format of the images that will be provided to you. The images are provided to you as a guide to the quality and format of the images that will be provided to you. The images are provided to you as a guide to the quality and format of the images that will be provided to you.

EAST SIDE OF BUILDING = 2548 SQ FT (TOTAL)
ALL 2 SIGNS = 69 SQ FT (TOTAL)



VIEW B - EAST ELEVATION
SCALE: 1/4" = 1'-0"

BUILDING SIGNS - EAST ELEVATION
VENUE CHURCH
2926 Kingsview Blvd.
Airdire, AB

2025-03-04
REV. 1
BY: S. LESLIE